



PROJECT		REF		REV	ITEM CODE	
LOCATION		DATE			PAGE	

SANITARY WARE SPECIFICATION SHEET

Item Descriptions	GROHE (Germany) "Grohtherm SmartControl" thermostat shower mixer with mixing device and adjustable temperature limiter ; " Euphoria Cube Stick" chrome plated Shower rail set Single functions hand shower (27699000) ; Nominal flow rate 9 L/min in WELS Grade 1 ; Registration No. SB 17-0002
Model	27699000 (Hand Shower) 27892000 (Shower Rail) 27704000 (Shower outlet elbow) 28364000 (Shower Hose) 29123000 (Thermostat mixer) 35600000 (Mounting box)
Material	Chrome Plated
Manufacturer	GROHE Limited
Supplier	Acme Sanitary Ware Co. Ltd Mr. Eric Wong/ Mr. Don Yuen
Contact Tel/Fax	(852) 2388-7171 / (852) 2710-8012
E-mail	acme@acmesanitary.com.hk
Website	www.acmesanitary.com.hk

Illustration/ Drawing

Technical drawing details include dimensions: 66, 52, 35-45, 216, 1500, 158, 146, 135, 145, 96, 180, 75-105, 73, 620, 5-20, 10, 43, 25, 138, and G¹/₂ connections.

Hand Shower

Dynamic flow pressure (kPa)	50	150	250	350	500
Flow rate (l / min)	5.30	8.70	9.20	9.20	9.10


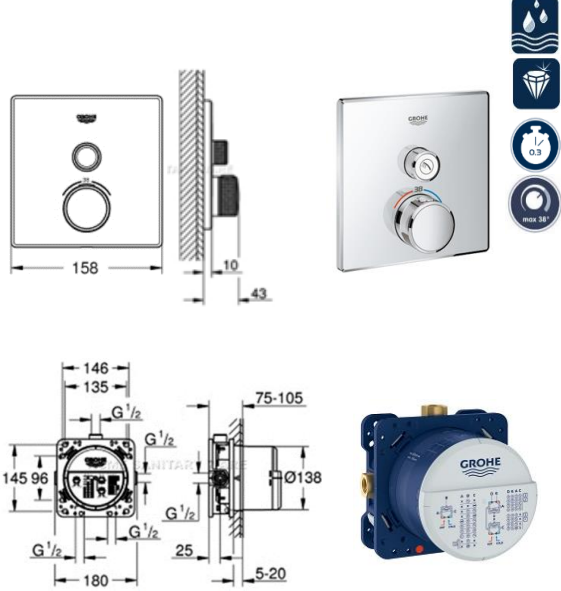
Note:

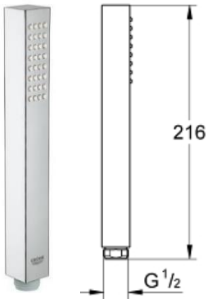
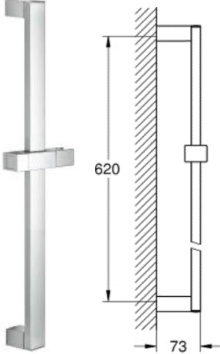
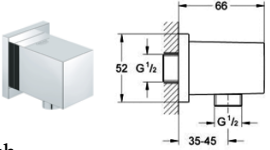
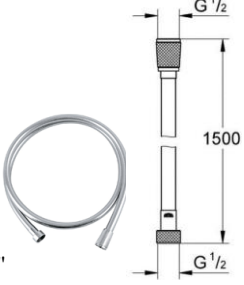
* All information of the above is for the reference only. No prior notice is made if any changes.



PROJECT		REF		REV	ITEM CODE	
LOCATION		DATE			PAGE	

SANITARY WARE SPECIFICATION SHEET

<p>Grotherm SmartControl Thermostat for concealed installation with one valve set for final installation for GROHE Rapido SmartBox 35 600 000 metal wall escutcheon with GROHE QuickFix (covered escutcheon and shaft sealing, covered fixing), retroactively 6° adjustable GROHE StarLight chrome finish GROHE SmartControl push for ON-OFF, turn for volume adjustment from EcoJoy to full flow exchangeable symbols GROHE TurboStat compact cartridge with wax thermostem GROHE SafeStop safety button at 38°C (calibration required) GROHE SafeStop Plus optional temperature limiter at 43°C or 46°C included built-in non return valve and dirt strainers without roughing-in-set flow performance: outlet A (to external shut-off) = 34 l/min outlet B/C = 29 l/min</p>	<p>GROHE Rapido SmartBox Universal rough-in box, 1/2" 3 outlets 1/2" 2 inlets below, 1/2" installation depth 75-105 mm connection unit in DR brass pre-mounted flushing plug stable build-in box and protective cover fixing options for solid walls and dry cladding gasket without set for final installation</p> 	<p style="text-align: center;">Illustration/ Drawing</p> 
--	---	--

<p>Euphoria Cube Stick Hand shower 1 spray Normal spray GROHE EcoJoy 9.5 l/min flow limiter GROHE DreamSpray perfect spray pattern GROHE StarLight chrome finish SpeedClean anti-limescale system Inner WaterGuide for a longer life Universal Mounting System. Fits all standard shower hoses</p>	 	<p>Euphoria Cube Shower outlet elbow, 1/2" male thread protected against backflow GROHE StarLight chrome finish</p>  <p>Euphoria Cube Shower rail, 620 mm with wall holders, glide element and swivel hold GROHE StarLight chrome finish</p> 
--	---	--

Note:

* All information of the above is for the reference only. No prior notice is made if any changes.

3 Key advantageous comparisons with another brand

1) Only 1 wall plate needed = Half expenditures



1 plate only

Brand x



2 plates

2) Integrated Volume Control

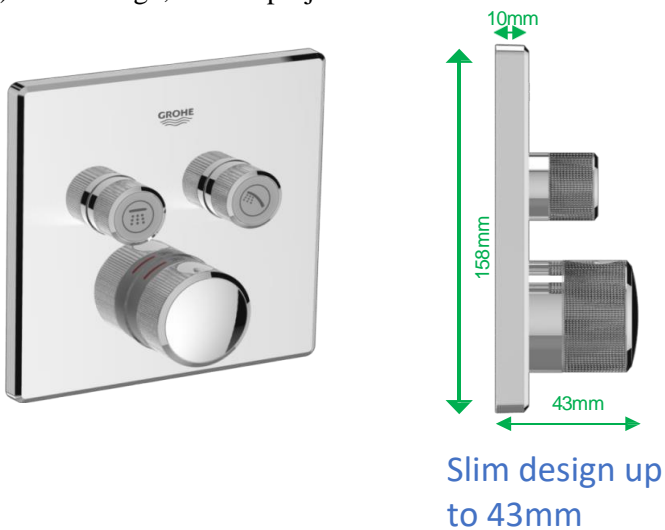


With Volume Control

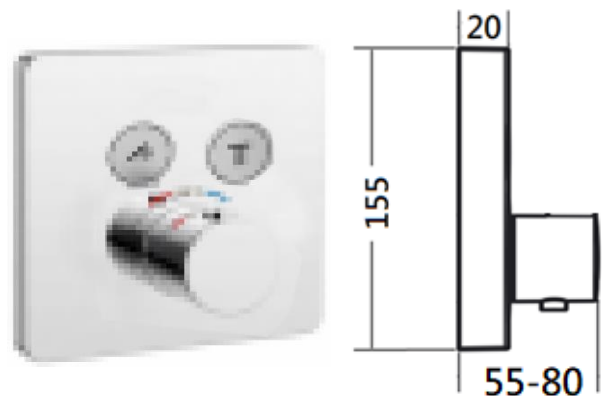


Without Volume Control

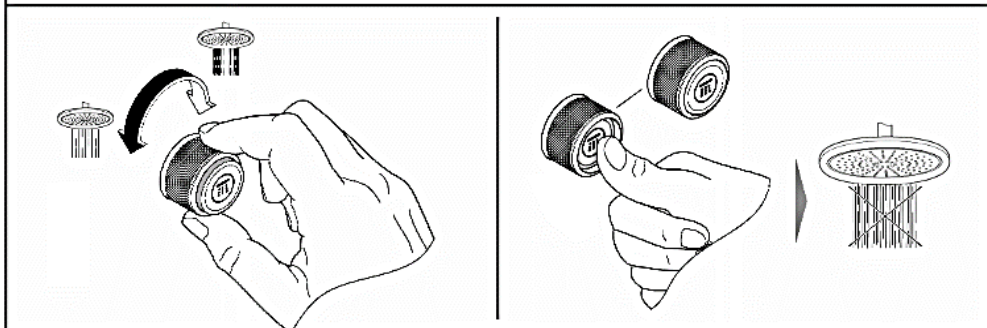
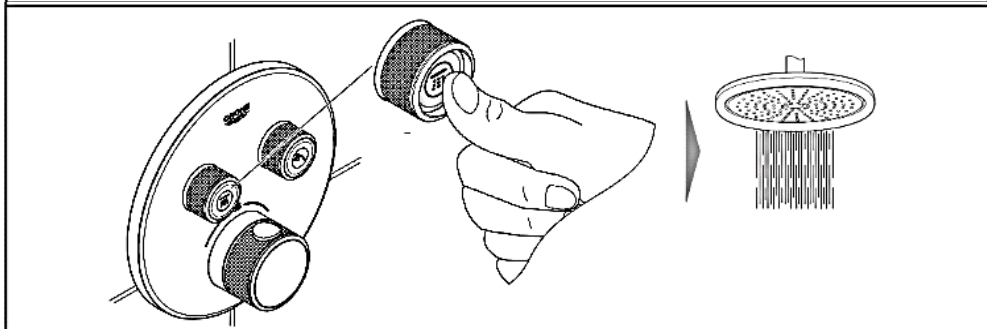
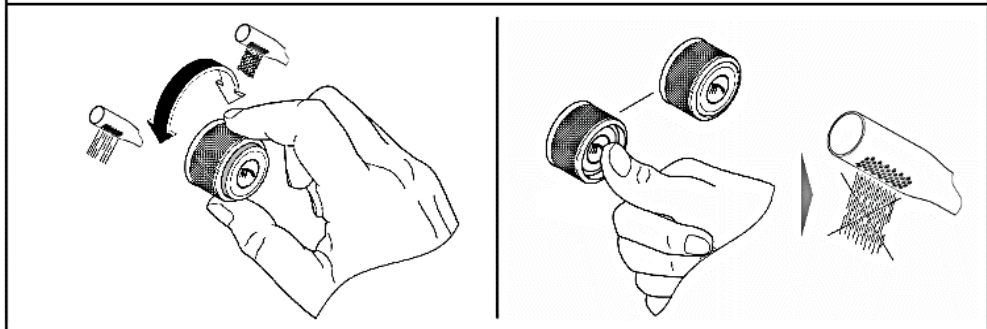
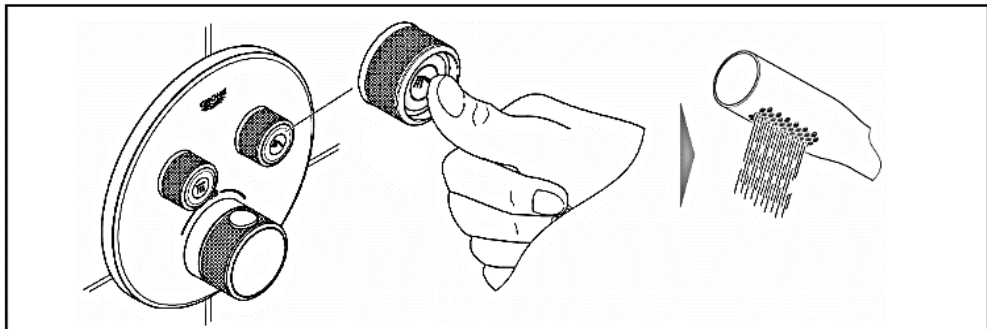
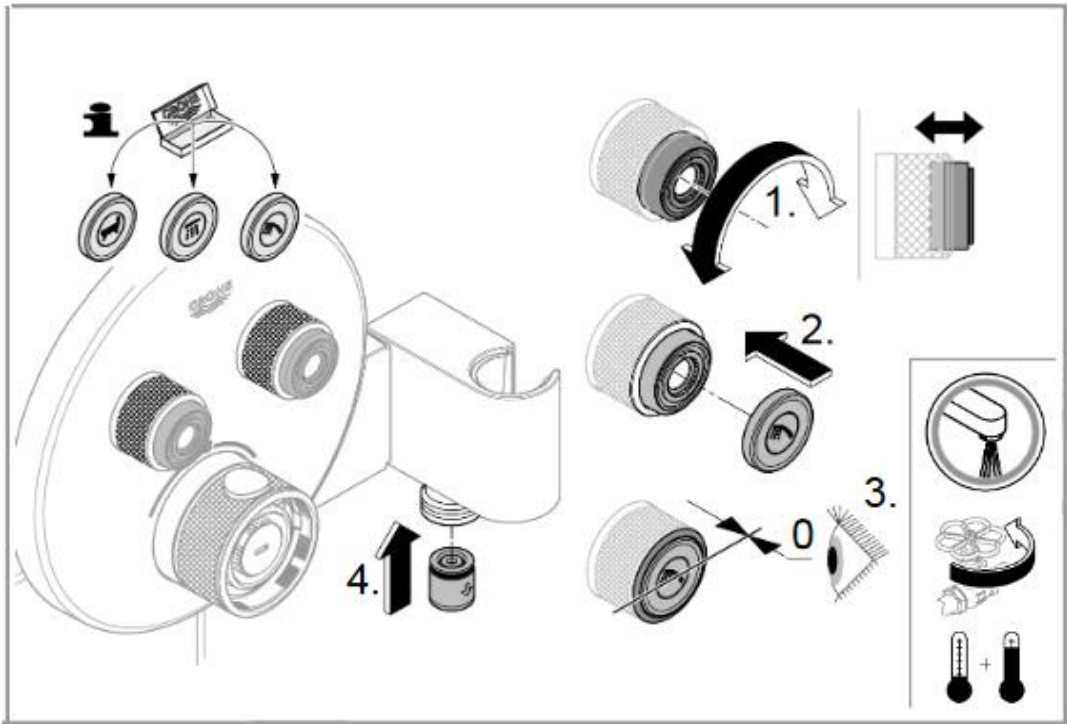
3) Slim Design, shorter projection



Slim design up to 43mm



Thickness up to about 80mm





水務署
Water Supplies Department

總部 Headquarters

告士打道七號入境事務大樓 48 樓

on Tower, 7 Gloucester Road, Wan Chai, Hong Kong



本署編號
Our ref.
來函編號
Your ref.

1/18 Pt.1 T/J(239)

電話 :
Tel. :
傳真 : 2824 0578
Fax. :

6 September 2018

Approval of "GROHE" Thermostatic Mixing Valves (General Acceptance No. C20180590)

Your letter ref. WRC/1649 dated 21 February 2018 and subsequent submission received by this department on 2 August 2018 refer.

Having considered the test report ref. J21968-1r2 issued on 26 July 2018 by Nutek Systems (HK) Ltd., this Authority accepts that the fittings described below comply with, and their use when correctly installed does not contravene, the Waterworks Ordinance and Regulations.


Name of Manufacturer: Grohe AG

Country of Origin: Germany

Brand: Grohe

Details of Fitting: 1/2" Concealed thermostatic mixing valve

Model:
35600000 + 29118000
35600000 + 29150LS0
35600000 + 29123000
35600000 + 29153LS0

Body Markings: 



Expiry Date: 23 October 2022

This Authority hereby permits the use of the above fittings in fresh water plumbing systems subject to full adherence to Waterworks installation requirements. In particular, you are required to draw your customers' attention to the following requirement-

"The cold water supply to the fittings shall be drawn from the same source that supplies the hot water apparatus so as to provide a balanced pressure and to obviate the risk of scalding in the event of a restriction or failure in the water supply." AND

"The shower head or handspray should not be placed in submerged conditions and should be securely fixed to the original position after use."

A condition of this acceptance is that the fittings to be installed shall be replicas of the samples as certified by the testing agent mentioned above and without modifications. This acceptance may be withdrawn at any time if the standard of the fittings installed fails to meet that of the approved samples or if the fittings are found to be unsuitable for use in fresh water plumbing systems.

This acceptance is only applicable to the main body of the fittings, unless other specified.

For the use of the fittings in any project, the General Acceptance Number of this letter must be quoted as a means of identification of acceptance of the fittings by this Authority.

Should you have any enquiries, please contact our Engineer Mr. Terry KUNG at tel. no. 3583 4086.

Yours faithfully,



(CHAN Chung-kun)

for Director of Water Supplies

Encl.

c.c. WSD 3321/1/82] - without catalogue
ME/MC] - with soft copy only



自願參與用水效益標籤計劃 - 沐浴花灑
Voluntary Water Efficiency Labelling Scheme - Showers for Bathing



茲證明
This is to certify that

將下列花灑在本計劃內註冊：
has registered the following shower under this scheme :

牌子 / Brand	:	GROHE
型號 / Model	:	27699000
原產地 / Country or Region Origin	:	Germany

在用水效益標籤上展示的標誌 <i>Symbolic Presentation on the Water Efficiency Label</i>	:		滴水點 <i>Water droplet(s)</i>
用水效益級別 <i>Water Efficiency Grade</i>	:	1	
耗水量 <i>Water Consumption</i>	:	9	公升/分鐘 <i>litres/minute</i>

簽發日期:
Date of Issue: 18 January 2017



水務署署長(周世威代行)
for Director of Water Supplies

SMARTCONTROL THERMOSTAT RANGE AT A GLANCE

MIXERS RANGE AT A GLANCE

CUBE



29 123 000
Grotherm SmartControl,
single



29 124 000
Grotherm SmartControl,
double



29 125 000
Grotherm SmartControl,
double, integrated
handshower union



29 126 000
Grotherm SmartControl,
triple



29 127 000
Grotherm SmartControl,
triple valve

ROUND



29 118 000
Grotherm SmartControl,
single



29 119 000
Grotherm SmartControl,
double



29 120 000
Grotherm SmartControl,
double, integrated
handshower union



29 121 000
Grotherm SmartControl,
triple



29 122 000
Grotherm SmartControl,
triple valve

CUBE ACRYLIC GLASS



29 153 LSO
Grotherm SmartControl,
single



29 156 LSO
Grotherm SmartControl,
double



29 157 LSO
Grotherm SmartControl,
triple



29 158 LSO
Grotherm SmartControl,
triple valve

ROUND ACRYLIC GLASS



29 150 LSO
Grotherm SmartControl,
single



29 151 LSO
Grotherm SmartControl,
double



29 904 LSO
Grotherm SmartControl,
triple



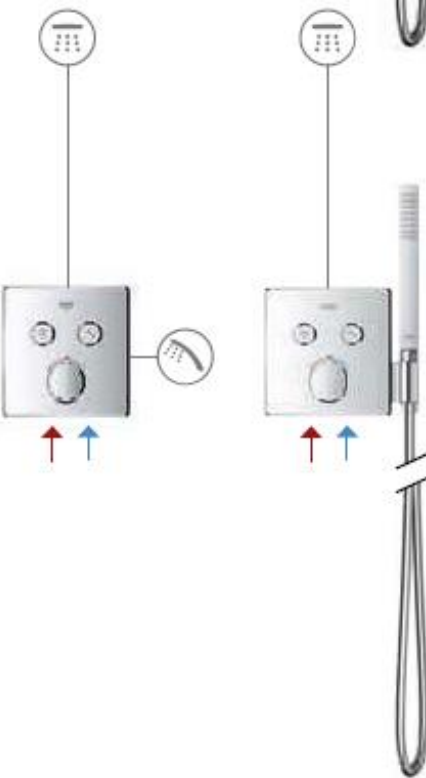
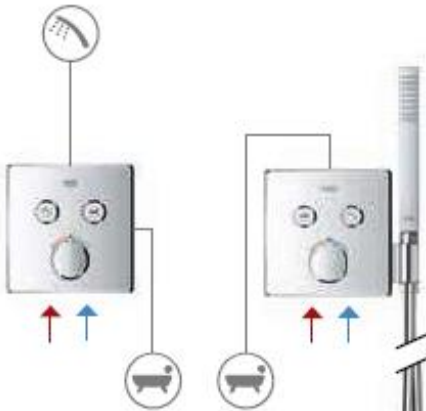
29 152 LSO
Grotherm SmartControl,
triple valve

CONFIGURATIONS

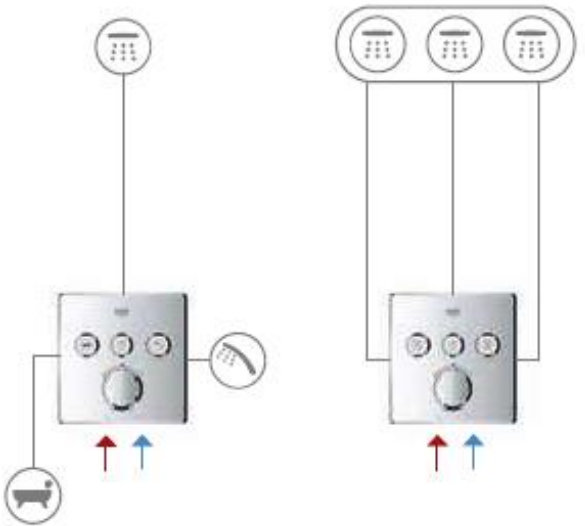
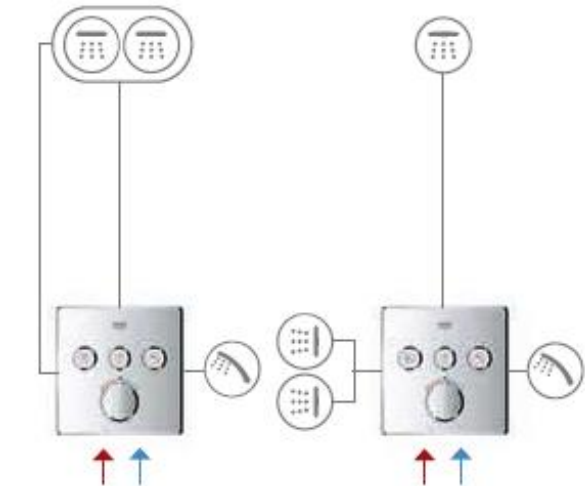
SINGLE (THM + MIXER)



DOUBLE (THM + MIXER)

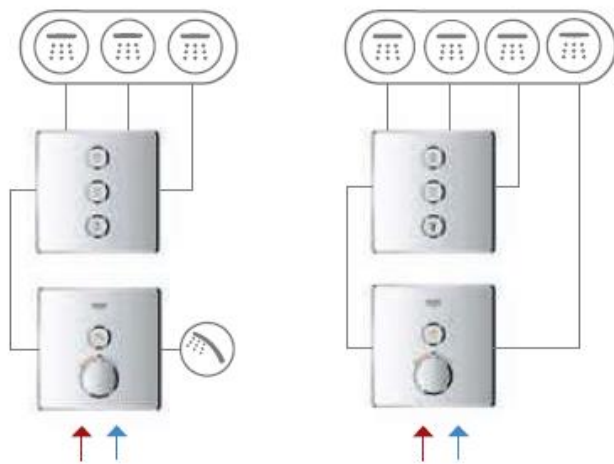
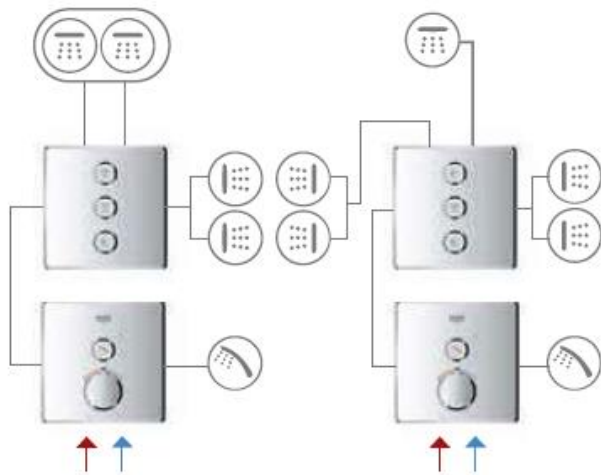


TRIPLE (THM + MIXER)

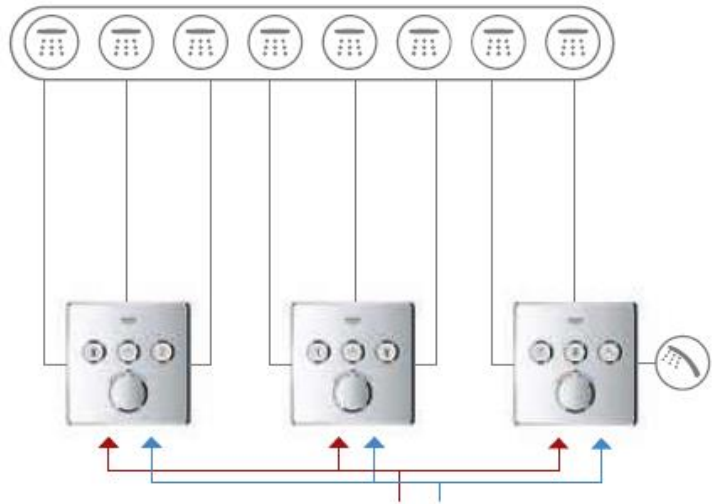


CONFIGURATIONS

COMBINATION (THM)



COMBINATION WITH AQUASYMPHONY



TEMPERATURE ZONE 1

- 1. WATERFALL 
- 2. RAIN 
- 3. BOKOMA 

TEMPERATURE ZONE 2

- 1. PURE 
- 2. RAIN 
- 3. WATERFALL 

TEMPERATURE ZONE 3

- 1. DRIZZLE 
- 2. AQUA CURTAIN 
- 3. HANDSHOWER 

ACCESSORIES

We gave the GROHE Rapido SmartBox its name for a reason: it is full of clever innovations and able to adapt to every one of your projects. Combine it with any GROHE SmartControl Concealed trim set for a doubly smart solution. Find out more about the many clever details of this rough-in and how to combine it with the range of add-ons.

ROUGH-IN SHIPMENT

build-in box for fixing,
sealing and noise isolation

flexible retaining ring
for optional backside
installation



sealfleece

solid brass ring with
1/2" connections to
water supply

plug (2 pcs), to block
inlets during rough
installation



flushing plug to flush
hot and cold water
supply and to flush
the outlets



TRIM-SET SHIPMENT

build-in silencer

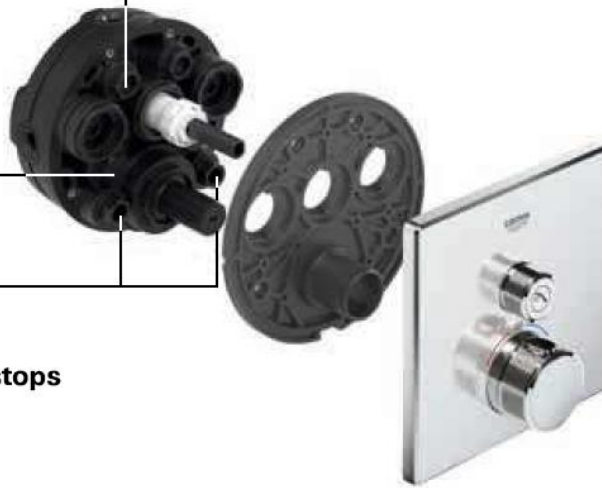
build-in non-return valves and dirt strainers

location to screw service stops



optional service stops

1405300M (2 pcs)



build-in silencer

build-in non-return valves and dirt strainers

location to screw service stops



optional backflow protection combination
(EN1717)



optional service stops

1405300M (2 pcs)

location to screw backflow protection combination



build-in silencers

build-in non-return valves and dirt strainers

location to screw service stops



optional service stops

1405300M (2 pcs)



THE ROUGH-IN: MORE ADVANTAGES – NO HASSLE



THE MORE YOU KNOW, THE MORE YOU'LL LOVE IT.

The GROHE Rapido SmartBox has a multitude of well thought through features. If you take a little time to become acquainted with them, you'll quickly realise how the GROHE Rapido SmartBox will enable you to work more efficiently and effectively,

